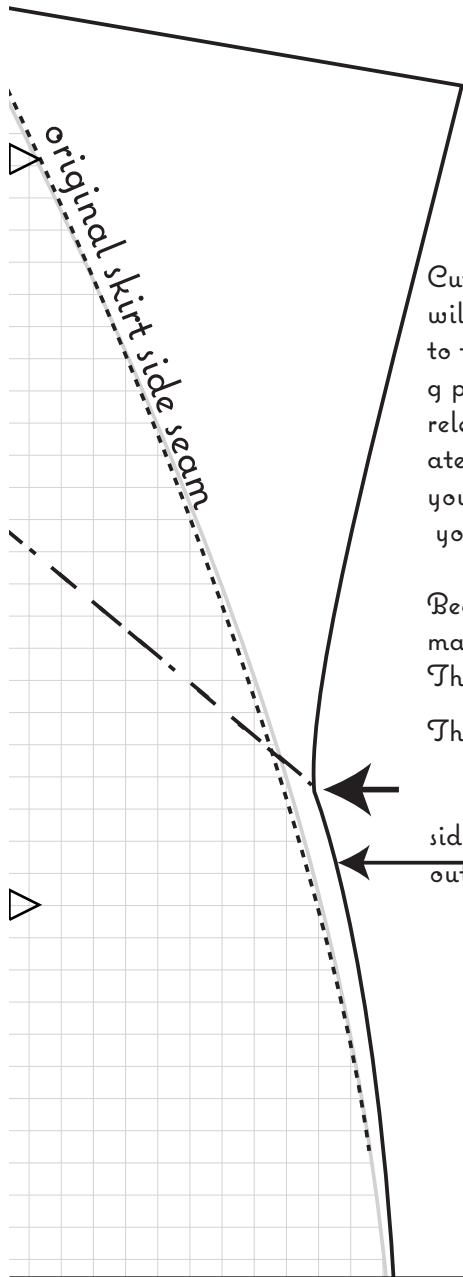


centre front

1/2 front skirt

flap fold line

*NO SEAM ALLOWANCES ARE INCLUDED
ON THE PATTERN PIECES*

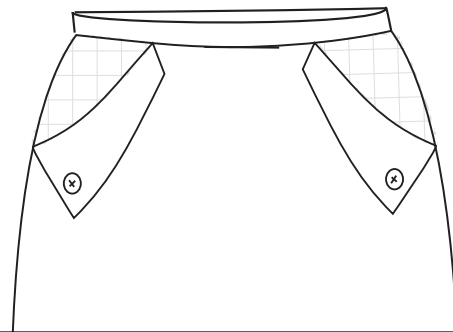


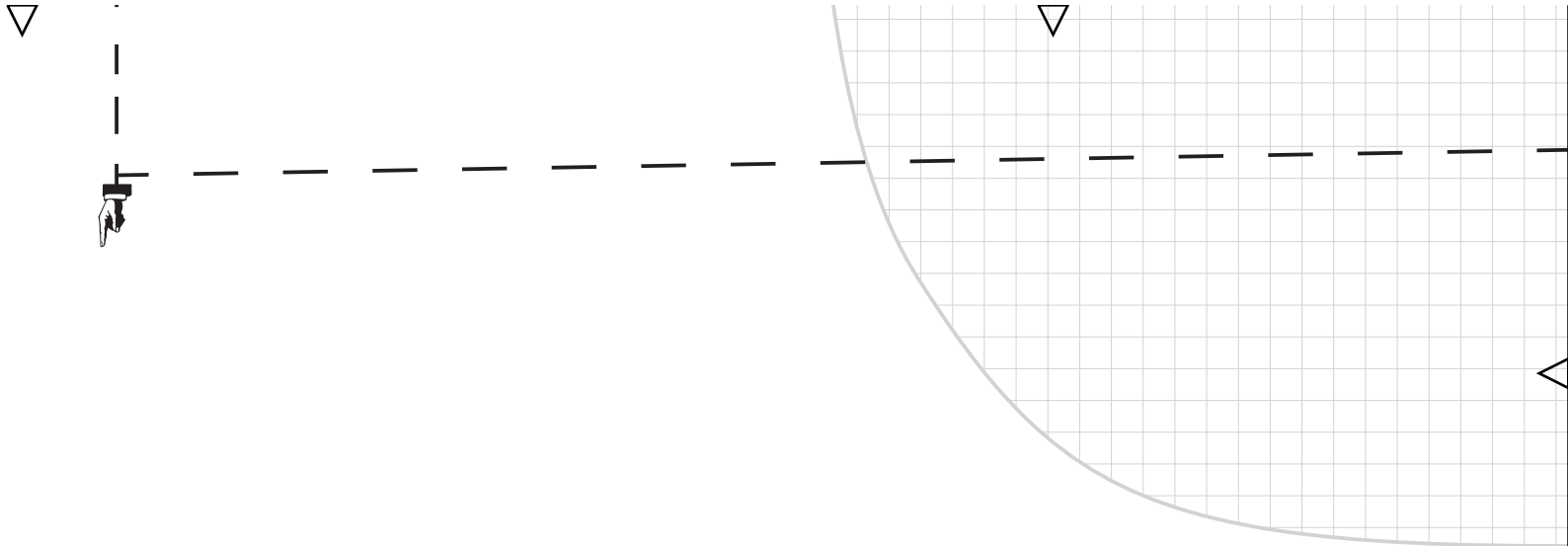
Cutting the pocket pieces out in a scrap fabric and pinning them together will help you see how the pocket works. There are no seam allowances added to these pieces so add what you like. Bag-out the flap with the flap facing piece only between the larger arrows and clip to the first and last stitches to release seam allowances. The waist and side seams are stitched separately faster the flap is turned right sides out. You can then hold it against yourself or a skirt so see what changes in the pocket size, angle, flap shape etc. you may want to make to adapt it to your own skirt.

Because the pocket fold line is almost on the exact bias it will stretch thereby making the pocket stand away from your hip more than you might think. That is why I only extended my side seam 1/2 centimeter (see arrow below)

This of course can be adjusted according to your preferences and fabric.

side seam extended only .5cm (or a little more)
out from original side seam





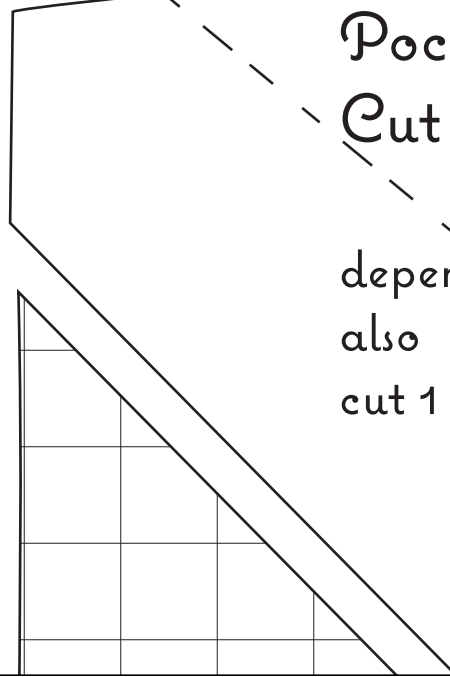
After sewing flap between arrows only clip at arrows to release seam allowance.

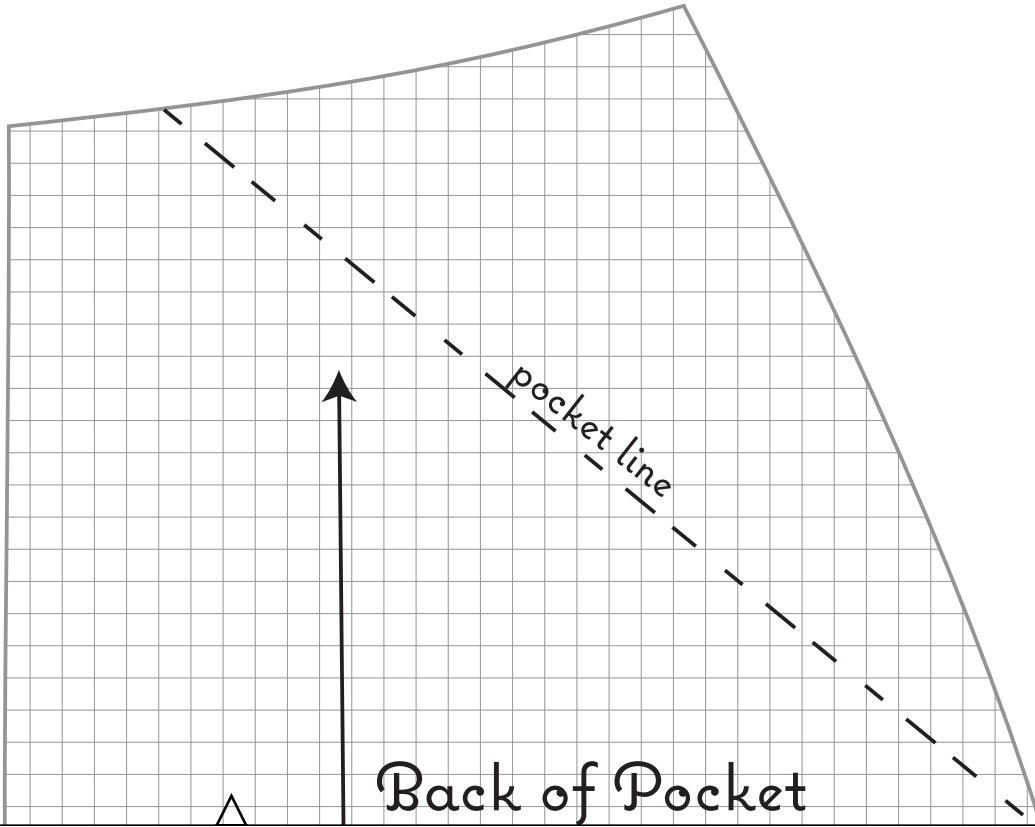
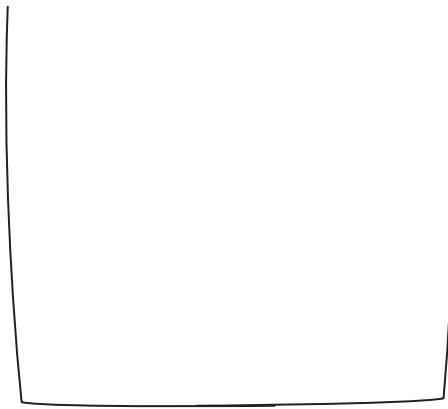
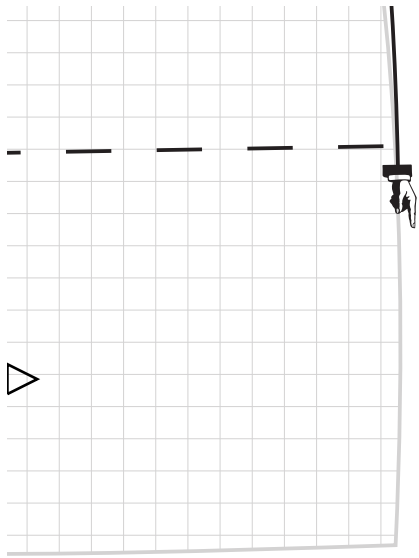
Pocket Flap facing

Cut 1 pair main fabric

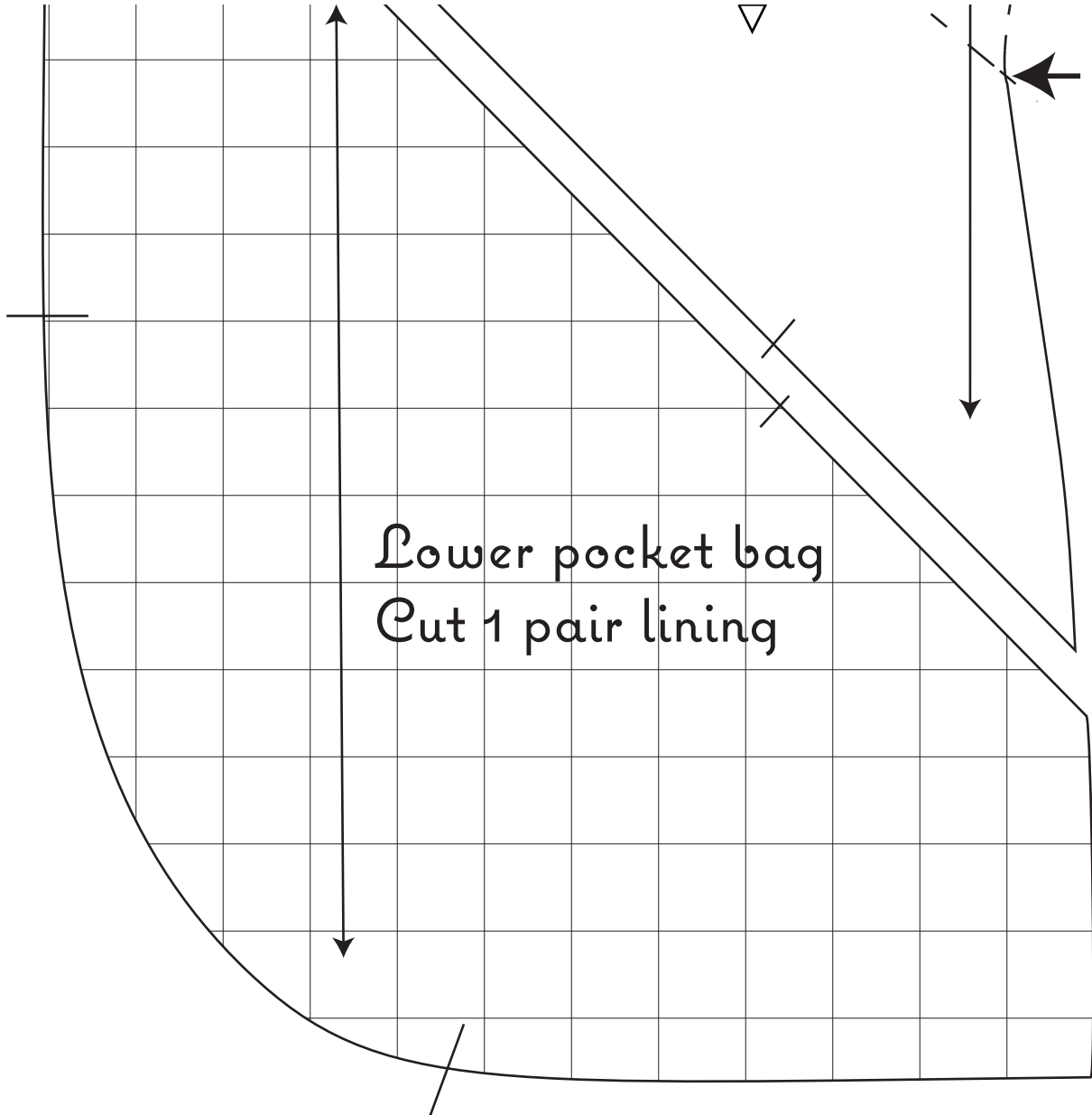
depending on fabric possibly also
cut 1 pair interfacing

fold line





Back of Pocket



Lower pocket bag
Cut 1 pair lining



